

### IN THIS ISSUE

LOCATIONS

ANNOUNCEMENTS

OFFSHORE INDUSTRY TRIVIA

FEATURED PROJECTS

SAFETY

November 2009



*To all our customers, vendors, and friends,*

***Happy Thanksgiving!!! It's that time of year again: Family, Food, and Football! Please know that while we are looking back over this past year, we at Offshore Inland are giving thanks for each and everyone that has played a role in working with us, supporting us, and / or planning with us.***

***I know we are all looking forward to 2010 with much excitement and enthusiasm. It will be a great year to continue our relationships with all of you, our "friends"!***

***Lord Bless,***

***Patrick Webb,***

***Vice President - Sales & Marketing***

### LOCATIONS



#### **Offshore Inland M&O World Wide Service and Dock Locations:**

1500' Deepwater Concrete  
Dock Repair, Mobilization,  
and Storage

#### **Pensacola, FL.**

\*

Over 3600' with 3  
Deepwater Dock Locations:  
1600, 1000, and 1000.  
Repair, Fabrication  
and Mobilization.

#### **Theodore, AL**

\*

### FEATURED PROJECTS

**Offshore Inland Marine & Oilfield has completed many successful projects of the past few months. Herein are just a few featured projects.**

15 acres near port with fabrication, blast & paint, and service teams.

**New Iberia, LA**

\*

12 acres of laydown/storage/project yard on the intercoastal dock with deepwater docks available nearby. Repair, Mobilization, Fabrication and Storage.

**Galveston, TX.**

\*

Deepwater dockspace, Fabrication and Project Yard, Storage and Offshore Support

**Dos Bocas, MX**

\*

Dockside Fabrication and Logistics Yard, and Offshore Support

**Cameroon, W. Africa**

**ANNOUNCEMENTS**

1. Congratulations to our Safety Award Winners!

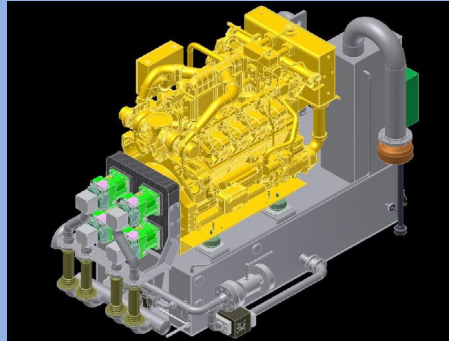
2. OSHA Training and Certification Available Now!!

- OSHA 10HR
- OSHA 30HR
- PEC Premier

3. Welcome aboard to our New Iberia Service Center!

**HPU's for Marecsa**

OIS has recently commissioned and delivered two High Pressure Processing Units for an eco-friendly FPSO in Mexico. This package was sized, designed, fabricated, commissioned and delivered out of our facility in Mobile, AL.



**Transocean Discover Enterprise CAPM/Upgrade**

Continuing with our strong tradition of handling the one-off, complicated, and logistically difficult projects, OIS performed, as the prime contractor, the first Cap M upgrade along with a significant down time project on board the Drill Ship Discover Enterprise. This upgrade called: continuous annular pressure management, allows for managed pressure drilling, with the ability to far more accurately control the downhole pressure environment. This successful offshore project

completed early summer this year. Thanks to all our crafts and supervisors for a safe and quality job!



## OFFSHORE INDUSTRY TRIVIA

**The winners from our last trivia are:**

**Matthew Segert  
Atul Saxena  
Randy Urlaub**

*Congratulations for winning  
Ruth Chris gift certificates!*

**The answers from last issue:**

1. H.L. Williams
2. 1947

Be the first to email the correct answers to both the following OFFSHORE INDUSTRY TRIVIA questions and Win dinner for 2 to your local Ruth Chris Steakhouse or equivalent.

**GOOD LUCK!!**

**1. According to a report from the National Academy of Sciences (1995), far more oil enters the U.S. marine waters from natural, underwater seeps than from offshore production platforms (150 times). What is the estimated amount of this natural seepage in barrels of oil per day?**

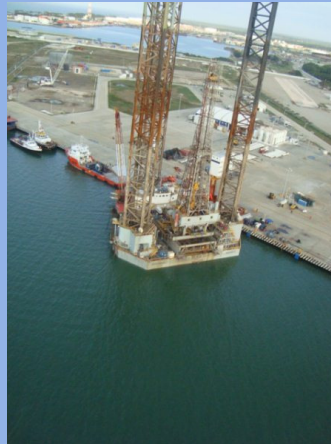
**2. What is the 8 letter nickname for the first stage of the drilling process?**

Address your answers to:  
[ssmith@offshoreinland.com](mailto:ssmith@offshoreinland.com)

*(Note: OIMC employees*

## New Fab / Mob Yard In Dos Bocas, MX

From one of the deepest dock areas on the Gulf Coast of Mexico, Offshore Inland is now busy providing fabrication, dockside services, and offshore service teams. The opportunity to service this region from this strategic location is truly exciting for the OIS team.



## SAFETY



**Our commitment:**

- To provide the safest workplace possible for our employees!
- To ever increase and enhance our production efficiency and product quality for our customers!
- To promote the cleanest and healthiest environment for us all!

**Our safety standards are achieved by our:**

- Education of employees on safe work practices
- Proactive hazard identification, elimination and control
- Continual HSE improvement processes
- Promotion of a positive "Safety Culture" lifestyle

*are not qualified to  
participate in this contest.)*

## **JOIN OUR LIST**

Join Our Mailing List!

## **COMPANY CONTACT INFO**

**Offshore Inland M&O**  
2735 Middle Rd.  
Mobile, AL 36605  
Tel. 251 443 5550  
Fax. 251 443 1613  
[www.offshoreinland.com](http://www.offshoreinland.com)  
[info@offshoreinland.com](mailto:info@offshoreinland.com)